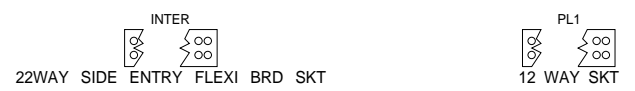
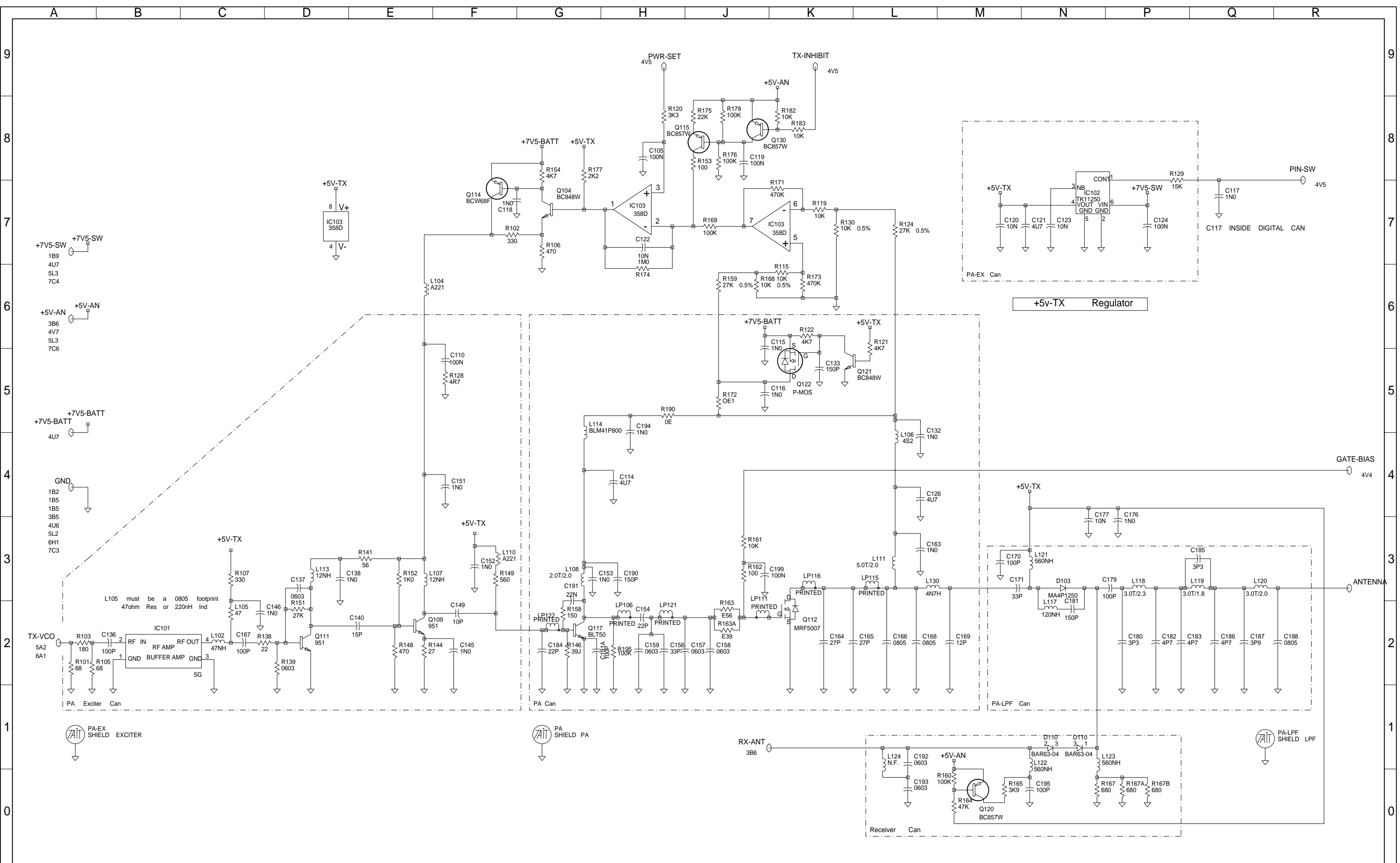


REV/ISS	AMENDMENTS	DRAWN	CHKD	D.O.	APVD	DATE
07J	DIODE D103 NOW MA4P1250	ECO	No.50-0411	TS		12-10-99
07H	REGENERATE PLC & PLA FILES.	CCO	NO.1392-005	TS		04-10-99
07G	MIC & BATT SEALS TO SIGNAL .INC.	CCO	No.1392-003	TS		21-09-99
07F	CHGD SPRING PINS TO 356-01077-00	CCO	No.1392-002	TS		15-09-99
07E	CHANGED PASTE FOR SMALL TCXO	BRD				31-05-99
07D	CHANGED CAN NAMES TO MATCH BAAN	BRD				19-04-99
07C	ROTATED TANT C364 180 DEG500185	BRD				11-03-99
07C	CHANGED PASTE ON PA & PROB PINS	BRD				19-02-99
05	MOREUPDATES	DBH				
04	UPDATED AND MOVED AERIAL SOCKET	MAJ				
03 B	UPDATED VALUES ADDED CANS TO PLA	MAJ				

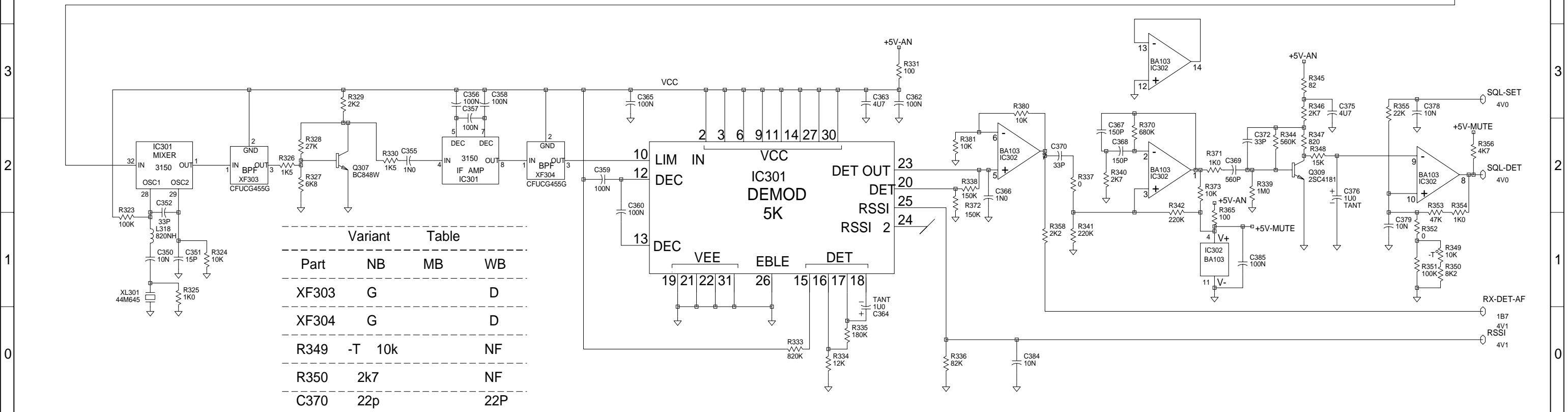
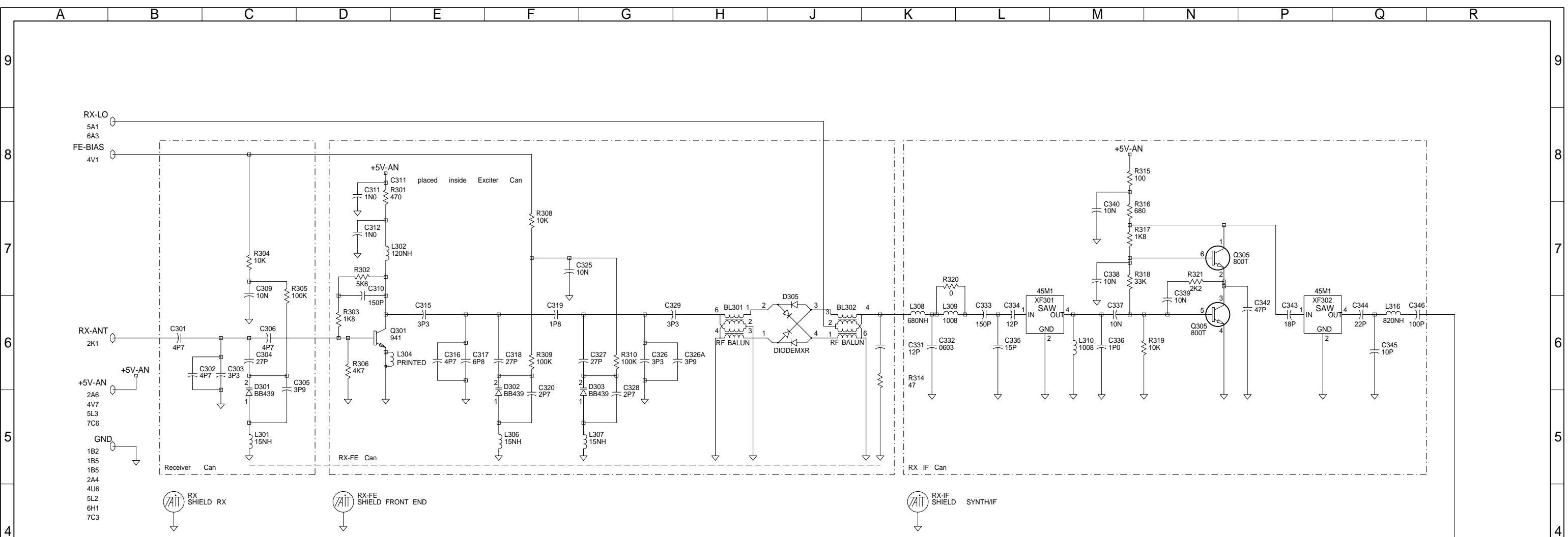


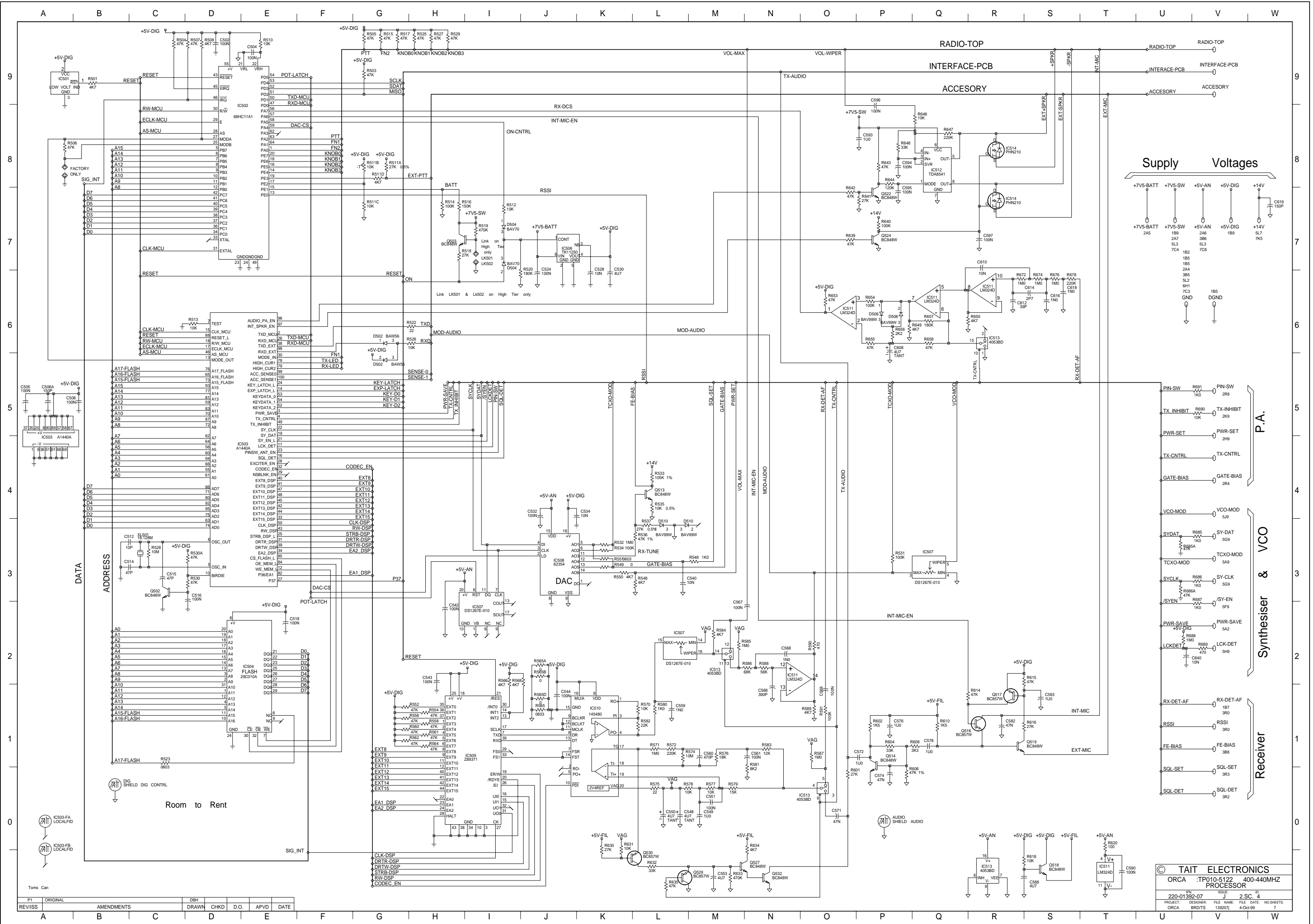
© **TAIT ELECTRONICS**
 ORCA :TP010-5122 400-440MHZ
 SYSTEM DIAGRAM
 IPN: 220-01392-07 ISSUE: J ID: 2.S.C. 1
 PROJECT: ORCA DESIGNER: BRD/TS FILE NAME: 139207J DATE: 4-Oct-99 NO.SHEETS: 7



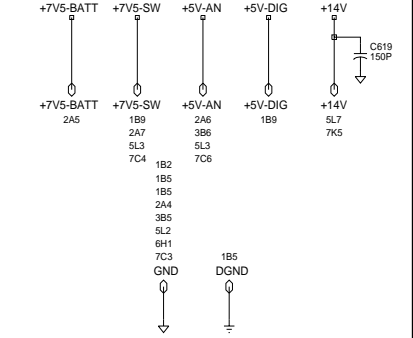
© TAIT ELECTRONICS
 ORCA :TP010-5122 400-440MHZ
 POWER AMPLIFIER
 IPN: J ISSUE: 2.S.C. 2
 PROJECT: 220-01392-07 DESIGNER: BRD/TS FILE NAME: 139207J FILE DATE: 4-Oct-99 NO.SHEETS: 7

REV/ISS	AMENDMENTS	DRAWN	CHKD	D.O.	APVD	DATE
A						





Supply Voltages

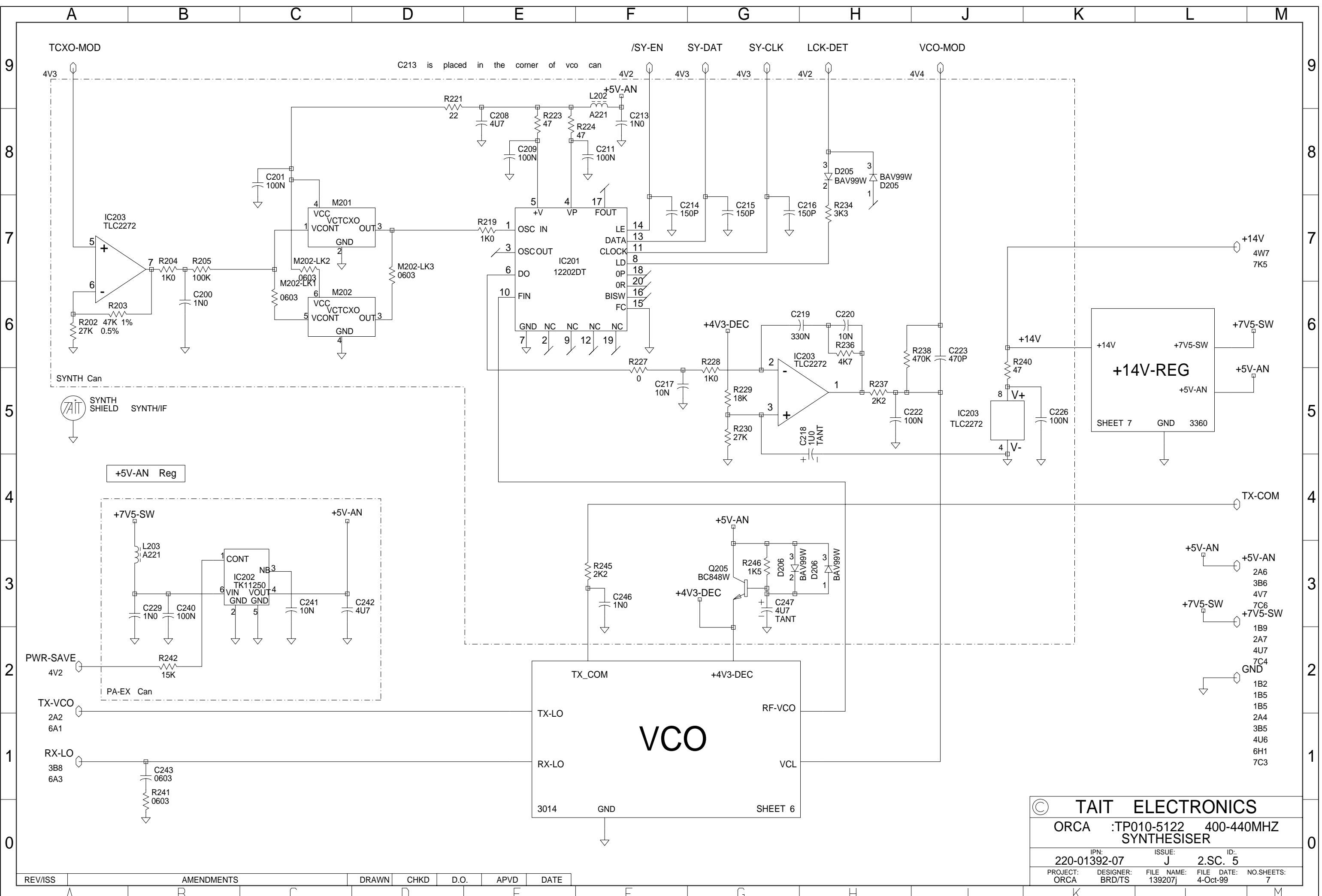


- P.A.
 - PIN-SW 2R8
 - TX-INHIBIT 2K9
 - PWR-SET 2H9
 - TX-CNTRL 2X-CNTRL
 - GATE-BIAS 2R4
- Synthesiser & VCO
 - VCO-MOD 5J9
 - SY-DAT 5G9
 - TCXO-MOD 5A9
 - SY-CLK 5G9
 - SY-EN 5F9
 - PWR-SAVE 5A2
 - LCK-DET 5H9
- Receiver
 - RX-DET-AF 1B7
 - RSSI 3R0
 - FE-BIAS 3B8
 - SOL-SET 3R3
 - SOL-DET 3R2

Room to Rent

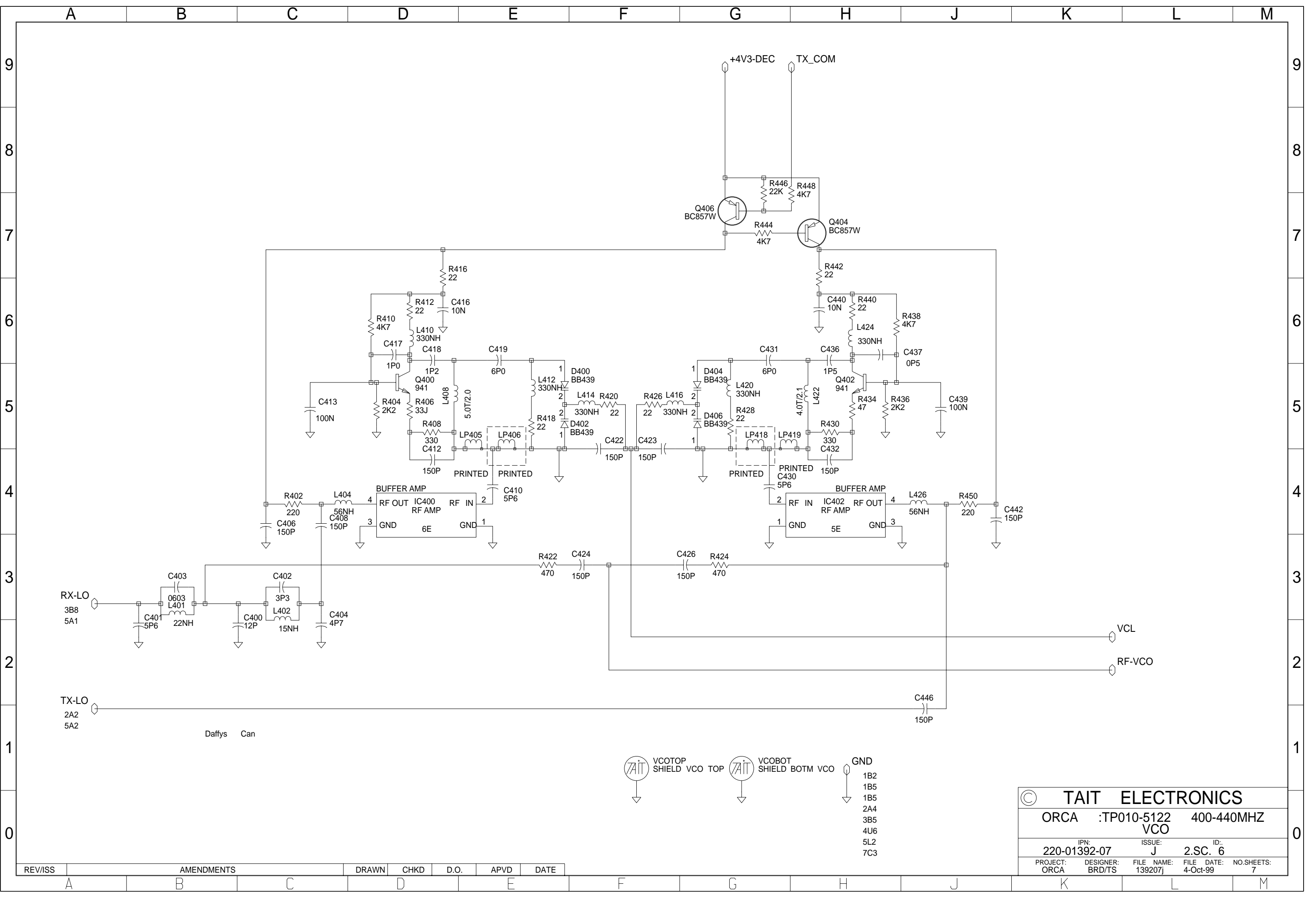
© TAIT ELECTRONICS
 ORCA :TP010-5122 400-440MHZ
 PROCESSOR
 220-01392-07 2-SC 4
 PRODUCT DESIGNER FILE NAME FILE DATE NO SHEETS
 ORCA BRDTS 139207 4-01-99 7

REV/ISS	ORIGINAL	AMENDMENTS	DRAWN	CHKD	D.O.	APVD	DATE
P1			DBH				



© TAIT ELECTRONICS
 ORCA :TP010-5122 400-440MHZ SYNTHESISER
 IPN: 220-01392-07 ISSUE: J ID: 2.SC. 5
 PROJECT: ORCA DESIGNER: BRD/TS FILE NAME: 139207j FILE DATE: 4-Oct-99 NO.SHEETS: 7

REV/ISS	AMENDMENTS	DRAWN	CHKD	D.O.	APVD	DATE



- VCOTOP SHIELD VCO TOP
- VCOBOT SHIELD BOTM VCO
- GND
- 1B2
- 1B5
- 2A4
- 3B5
- 4U6
- 5L2
- 7C3

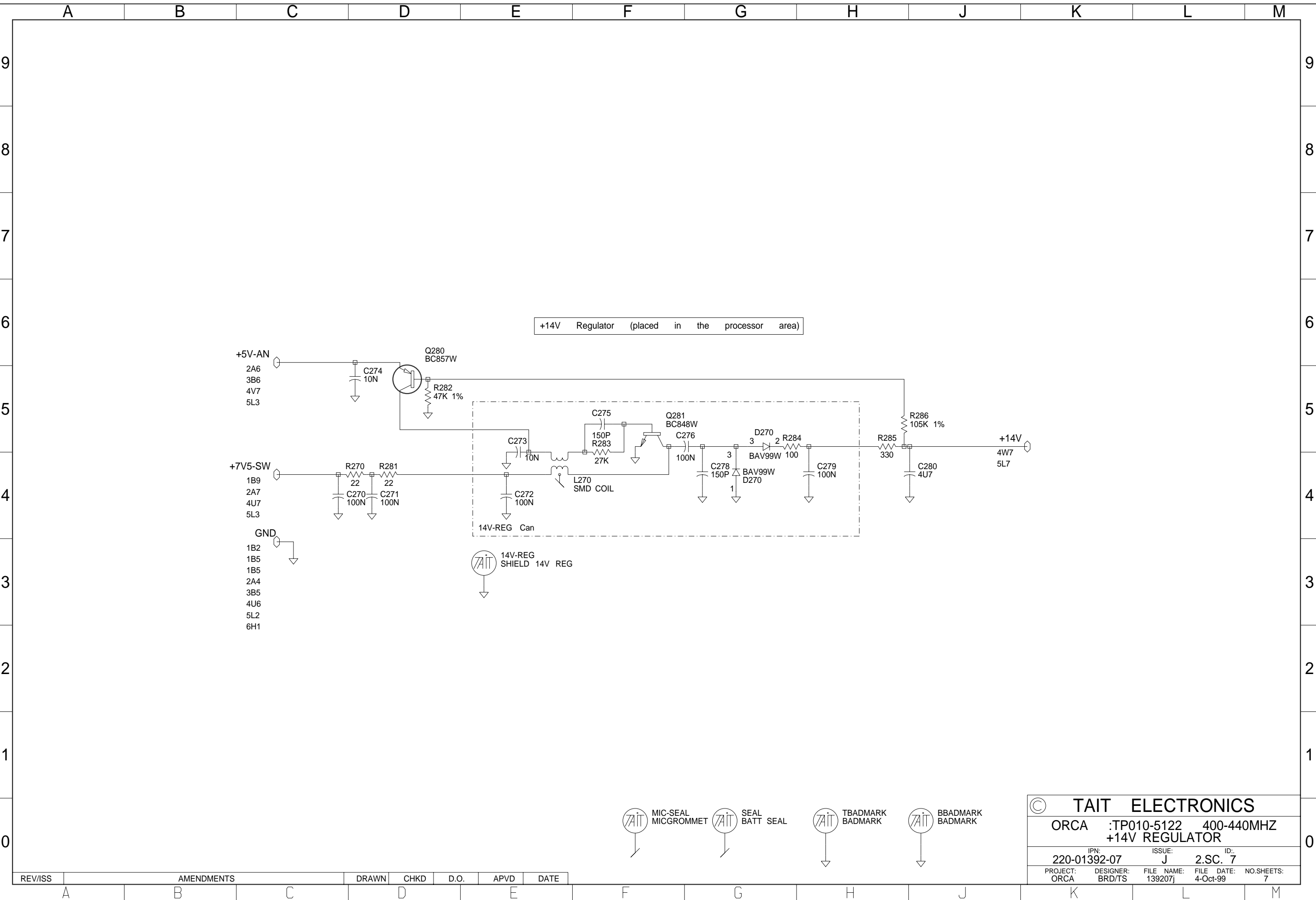
© TAIT ELECTRONICS

ORCA :TP010-5122 400-440MHZ VCO

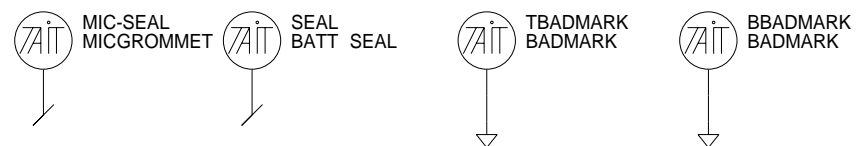
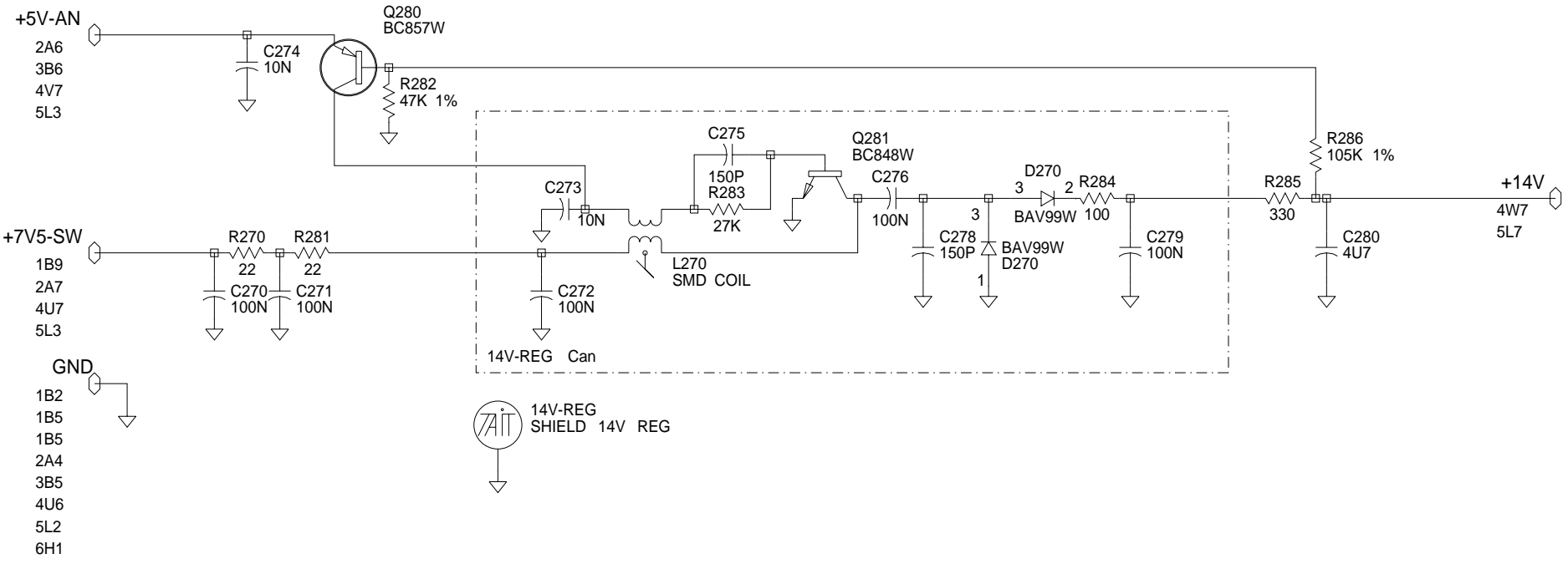
IPN: 220-01392-07 ISSUE: J ID: 2.SC. 6

PROJECT: ORCA DESIGNER: BRD/TS FILE NAME: 139207j FILE DATE: 4-Oct-99 NO.SHEETS: 7

REV/ISS	AMENDMENTS	DRAWN	CHKD	D.O.	APVD	DATE



+14V Regulator (placed in the processor area)



© TAIT ELECTRONICS				
ORCA	:TP010-5122	400-440MHZ	+14V REGULATOR	
IPN:	220-01392-07	ISSUE:	J	ID: 2.SC. 7
PROJECT:	ORCA	DESIGNER:	BRD/TS	FILE NAME: 139207j FILE DATE: 4-Oct-99 NO.SHEETS: 7

REV/ISS	AMENDMENTS	DRAWN	CHKD	D.O.	APVD	DATE
---------	------------	-------	------	------	------	------